

Counters

Electromechanical Hour Meter

Types E1HM4



- 7/8 digits hour meter
- Without reset
- High shock resistance
- Long life service
- IP65 front

Product Description

This very small hour meter can be used as meter for service intervals in many applications such as: UV lamps, small appliances, respiratory ventilators, oxygen machines, dialysis machines.

Ordering Key

E1HM4 0 351

Type _____
 Housing type _____
 Supply voltage _____
 Stock items: E1HM40071
 E1HM40075
 E1HM40084
 E1HM40351

Approvals



Housing

0	See fig.1
1	See fig.2
2	See fig.3
4	See fig.4

Supply Voltages and Consumption¹

	Supply voltage	AC 50Hz	AC 60Hz	VDC
071	20÷30	0.3VA	-	-
081		-	0.3VA	-
072	42÷48	0.25VA	-	-
082		-	0.25VA	-
074	100÷130	0.6VA	-	-
084		-	0.6VA	-
381		-	-	0.75W
075	187÷264	1.2VA	-	-
085		-	1.2VA	-
351	10÷30	-	-	0.5W
353	36÷80	-	-	0.9W

General Data

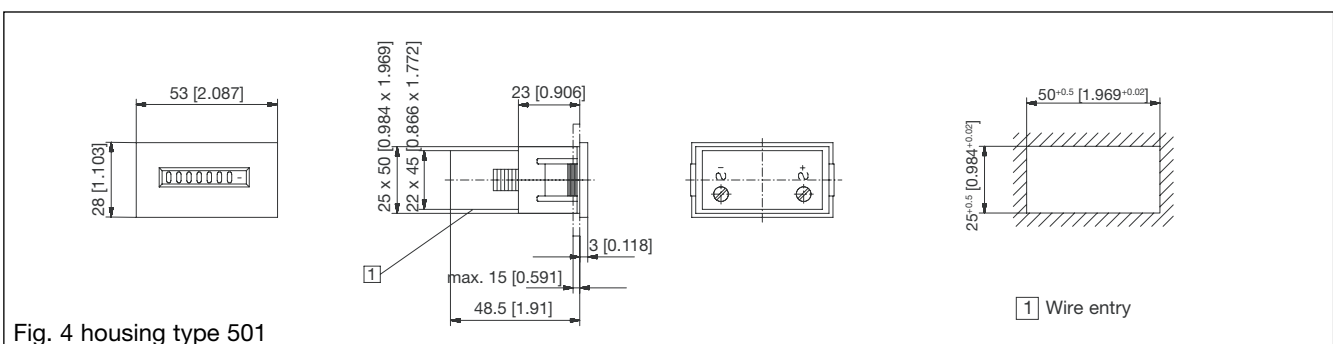
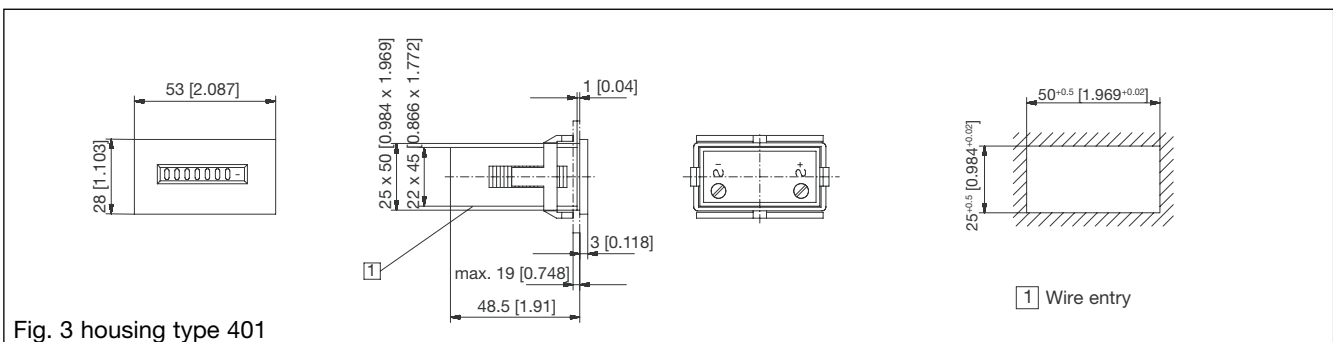
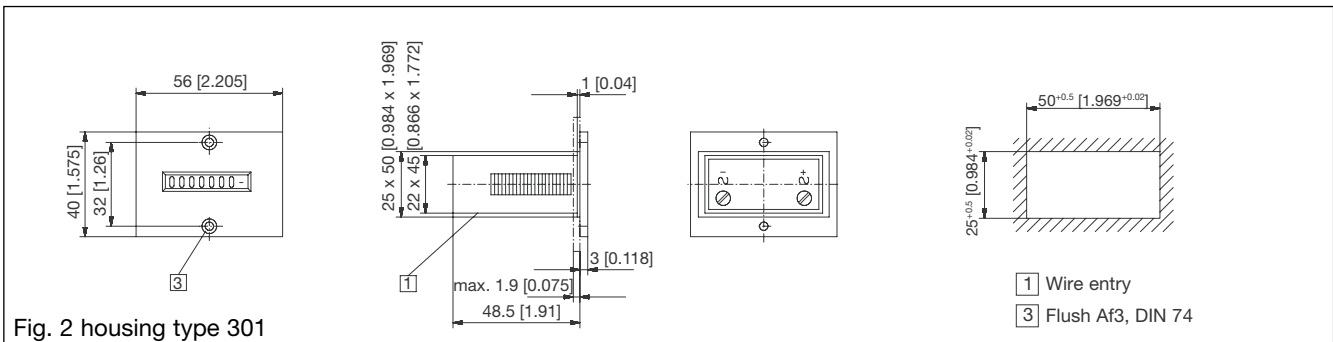
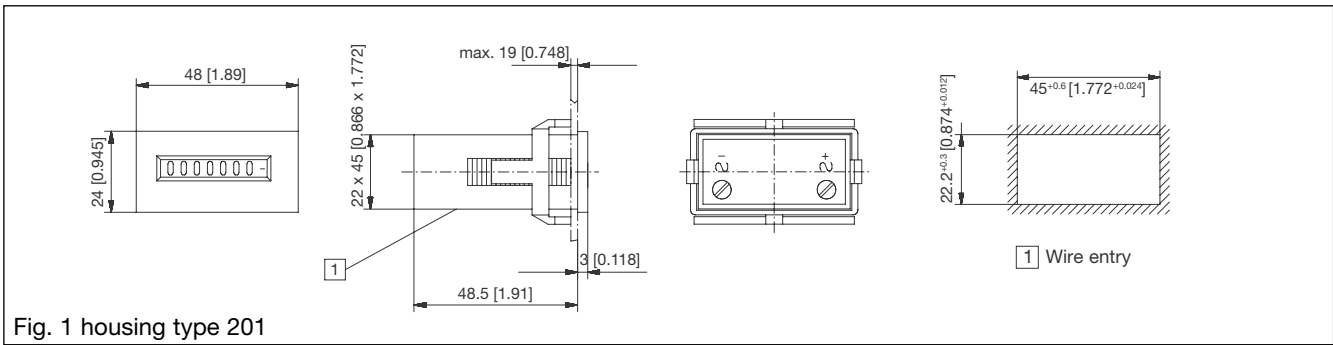
Display	AC DC	7 digits (99999.99) 8 digits (9999999.99)
Dimensions of digits		H 4mm/0.158"
Colour of digit figures		White on Black (decimal: red on black)
Operating temperature		-10...+50°C/14...122°F
Mounting position		Any
Connections		Screw terminals max torque 0.8Nm
Housing colour		Black RAL 9005
Housing material		Plastic
Weight		50g/1.764oz
Panel cut-out HxL		22.2x45mm / 0.874"x1.772" 25.0x50mm / 0.984"x1.969"
Degree of protection		IP65 (are sealed)

Measuring Specifications

Counting mode	adding
On time	100%
Reset	No
Accuracy	
AC	Supply freq. +30ms
DC	<0.003% (24h)

¹ The available voltages are those where the consumption is indicated

Dimensions mm/inches



Options

Upon request	Flat pins connection 0.8x6.3mm (0.032x0.248")
Upon request	Screw terminals with terminal cover