

Counters Multifunction Display Types DMF861



- Programmable function:
 - Pulse counter
 - Position display
 - Frequency/speed
 - Timer/time meter
- DC supply
- High rate accuracy system
- DIN 24x48
- IP65 front protection

Product Description

This multifunction display can be used for a multitude of applications. Can be used for piece counting, measuring and recording speed for positioning, time measuring. All values are scalable.

Ordering Key

DMF861 A12 3 00

Type _____
 Output _____
 Supply voltage code _____
 Input type _____
 Stock items: DMF861A12300

Approvals



Output Type

A11	Optocoupler output
A12	No output

Supply Voltage

3	10...30VDC (with reverse polarity protection)
---	---

Input Type

00	Standard (also fixed voltage input available upon request)
----	--

Measuring Specifications

Time range	0.001s...999 999h
Counting Frequency	60kHz
Counting system	Programmable
Reset time	<5ms
Accuracy Tachometer:	<0.1%
Timer:	<50ppm

General Data

Display	6 digits LED type
Dimensions of digits	H 8mm/0.31"
Viewing angle	Frontal
Colour of digit figures	Red
Current consumption	<50mA
Data Back-up	E ² PROM
Operating temperature	-20...+65°C/-4...149°F
Storage temperature	-20...+85°C/-4...185°F
Mounting position	Panel mounting
Housing colour	RAL7021 (grey)
Dimensions	24x48 acc. to DIN 43700 STD
Weight	50g/1.76oz
Panel cut-out HxL	22.4x52mm / 0.87"x1.77"
Protection degree	IP65 (front)
EMC emitted:	acc. to directive 89/36/ENG EN61000-6-4 EN550011 class B
immunity:	EN61000-6-2

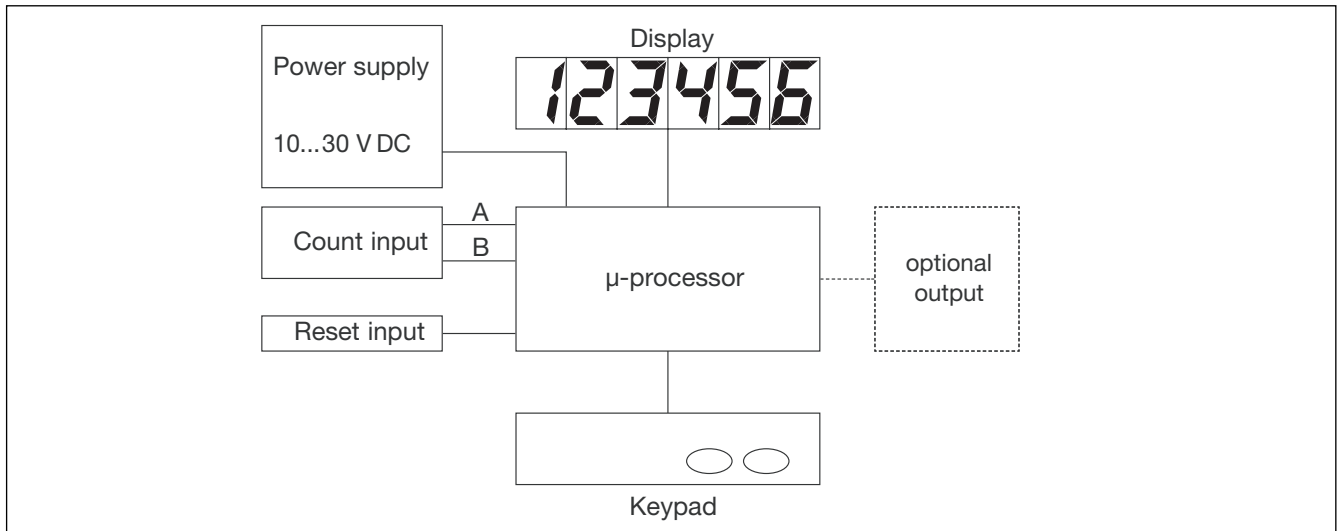
Input Specifications

Polarity	PNP or NPN programmable
Resistance	~ 5kΩ
Switching level	Low: 0±0.2 x U _B High: 0.6 x U _B ÷ 30VAC

Package Content

1	Instrument DMF861
1	Panel mounting clip
1	Bezel for screen mounting, panel cut-out 50x25mm
1	Bezel for clip mounting, panel cut-out 50x25mm
1	Seal
1	Multilingual operating manual

Block Diagram



Connections

