

MAXWELL

Three Phase Solid State Relay

MS-3DA Series
MS-3AA Series

DC to AC type
AC to AC type

**A Wide Range of models with 10 to 200A Output currents
Up to 1200VAC output Voltages**

- All models with the same universal standard size
- Operation indicator(red LED) enables monitoring operation
- Protective cover for greater safety
- Built-in RC Snubber
- Fast response and robust
- Zero cross function
- No noise during the operation
- Chassis mount



Ordering Information(DC control AC type)

MS-3DA □ □

1 2 3

1:Basic Model Name

MS-3DA: Maxwell 3 phase SSR(DC to AC type)

2:Rated Load Voltage

38: 380VAC
48: 480VAC
66: 660VAC
120: 1200VAC

3:Rated Load Current

10: 10A
25: 25A
40: 40A
60: 60A
80: 80A
100: 100A
120: 120A
150: 150A
200: 200A

▲ MS-3DA3825: Three phase DC to AC SSR(25A load 380VAC)

Ordering Information(AC control AC type)

MS-3AA □ □

1 2 3

1:Basic Model Name

MS-3AA: Maxwell 3 phase SSR(AC to AC type)

2:Rated Load Voltage

38: 380VAC
48: 480VAC
66: 660VAC
120: 1200VAC

3:Rated Load Current

10: 10A
25: 25A
40: 40A
60: 60A
80: 80A
100: 100A
120: 120A
150: 150A
200: 200A

▲ MS-3AA3825: Three phase AC to AC SSR(25A load 380VAC)

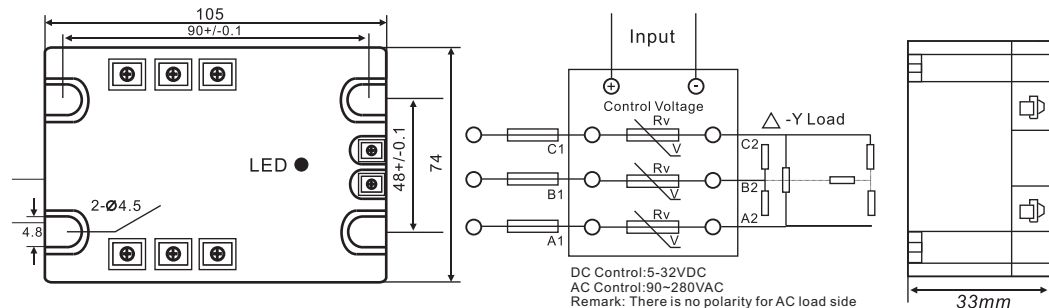
Specifications(DC to AC)

Load Voltage	380V / 480V / 660V / 1200V
Control Voltage	5-32VDC
Control Current	10-68mA
On Voltage Drop	≤1.8V
Off-leakage Current	≤10mA
On-off Time	≤10mS
Dielectric Strength	2500V AC
Insulation Resistance	1000MΩ/2500VDC
Ambient Temperature	-30°C~+75°C
Mounting	Chassis mount
Indicator	LED
Weight	0.3KG

Specifications(AC to AC)

Load Voltage	380V / 480V / 660V / 1200V
Control Voltage	90~280VAC
Control Current	≤12mA
On Voltage Drop	≤1.8V
Off-leakage Current	≤10mA
On-off Time	≤10mS
Dielectric Strength	2500V AC
Insulation Resistance	1000MΩ/2500VDC
Ambient Temperature	-30°C~+75°C
Mounting	Chassis mount
Indicator	LED
Weight	0.3KG

Wiring and Dimensions



Temperature Controller/Solid State Relay/Rotary Encoder/Proximity Sensors/Capacitive Sensors