

# MAXWELL Product Catalog

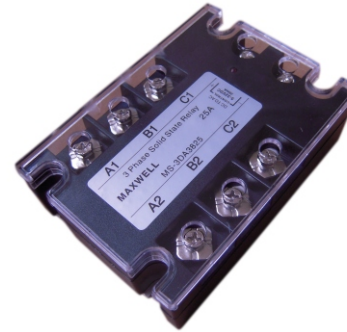
ISO9001:2008 CE



MS-1DA



MS-1AA



MS-3DA



Heatsink

- TEMPERATURE CONTROLLER
- **SOLID STATE RELAY**
- PROXIMITY SENSOR
- CAPACITIVE SENSOR
- ROTARY ENCODER
- TEMPERATURE SENSOR

[Sales@maxwell-fa.com](mailto:Sales@maxwell-fa.com)  
Tel:+86-592-6382791  
Fax:+86-592-6091734

[WWW.MAXWELL-FA.COM](http://WWW.MAXWELL-FA.COM)

# MAXWELL

## Single Phase Solid State Relay

MS-1DA Series  
MS-1AA Series

DC to AC type  
AC to AC type

**A wide range of models with 10 to 120A output currents**  
**Maximum load capacity is 660VAC**

- All models with the same universal standard size
- Operation indicator (red LED) enables monitoring operation
- Protective cover for greater safety
- AC and DC input versions available
- Fast response and robust
- Zero cross function
- No noise during the operation
- Chassis mount
- Built-in RC snubber



### Ordering Information (DC Control AC Type)

**MS-1DA**      
1      2      3

**1: Basic Model Nmae**

MS-1DA: Maxwell 1 phase SSR (DC to AC type)

**2: Rated Load Voltage**

48: 480VAC  
66: 660VAC

**3: Rated Load Current**

10: 10A  
25: 25A  
40: 40A  
60: 60A  
80: 80A  
100: 100A  
120: 120A

▲ MS-1DA4825: single phase DC to AC SSR (25A load 480VAC)

### Ordering Information (AC Control AC Type)

**MS-1AA**      
1      2      3

**1: Basic Model Nmae**

MS-1AA: Maxwell 1 phase SSR (AC to AC type)

**2: Rated Load Voltage**

48: 480VAC  
66: 660VAC

**3: Rated Load Current**

10: 10A  
25: 25A  
40: 40A  
60: 60A  
80: 80A  
100: 100A  
120: 120A

▲ MS-1AA4840: single phase AC to AC SSR (40A load 480VAC)

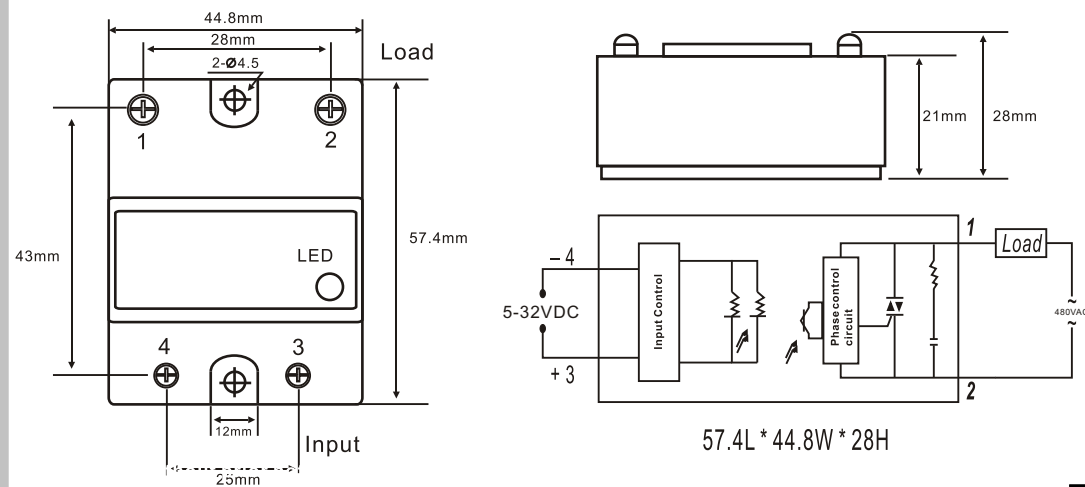
### Specifications (DC to AC type)

|                       |               |
|-----------------------|---------------|
| Load Voltage          | 480V/660V     |
| Control Voltage       | 5-32VDC       |
| Control Current       | 3-15mA DC     |
| On Voltage Drop       | ≤1.5V         |
| Off-leakage Current   | ≤8mA          |
| On-off Time           | ≤10mS         |
| Dielectric Strength   | 2500V AC      |
| Insulation Resistance | 100MΩ/500VDC  |
| Ambient Temperature   | -30°C~+75°C   |
| Mounting              | Chassis mount |
| Indicator             | LED           |
| Weight                | 0.1KG         |

### Specifications (AC to AC type)

|                       |               |
|-----------------------|---------------|
| Load Voltage          | 480V/660V     |
| Control Voltage       | 90~280VAC     |
| Control Current       | 3-12mA DC     |
| On Voltage Drop       | ≤1.5V         |
| Off-leakage Current   | ≤8mA          |
| On-off Time           | ≤10mS         |
| Dielectric Strength   | 2500V AC      |
| Insulation Resistance | 100MΩ/500VDC  |
| Ambient Temperature   | -30°C~+75°C   |
| Mounting              | Chassis mount |
| Indicator             | LED           |
| Weight                | 0.1KG         |

### Wiring and Dimensions



Temperature Controller/Solid State Relay/Rotary Encoder/Proximity Sensors/Capacitive Sensors

# MAXWELL

## Single Phase Solid State Relay

MS-DD Series

DC to DC type

**A Wide Range of models with 10 to 120A Output currents and Up to 480VDC output Voltages**

- All models with the same universal standard size
- Operation indicator(red LED) enables monitoring operation
- Protective cover for greater safety
- DC input and DC output
- Fast response and robust
- No noise during the operation
- Chassis mount
- Mosfet output



### Ordering Information(60V DC Load type)

**MS-DD**      

1      2      3

1:Basic Model Name

**MS-DD:** Maxwell 1 phase SSR(DC to DC type)

2:Rated Load Voltage

60: 60VDC

3:Rated Load Current

- 10: 10A
- 25: 25A
- 40: 40A
- 60: 60A
- 80: 80A
- 100: 100A
- 120: 120A

▲ MS-DD6010: DC to DC SSR(10A load 60VDC)

### Ordering Information(110V/220V/480V DC Load type)

**MS-DD**      

1      2      3

1:Basic Model Name

**MS-DD:** Maxwell 1 phase SSR(DC to DC type)

2:Rated Load Voltage

- 110: 110VDC
- 220: 220VDC
- 480: 480VDC

3:Rated Load Current

- 10: 10A
- 25: 25A
- 40: 40A
- 60: 60A
- 80: 80A
- 100: 100A
- 120: 120A

▲ MS-DD11010: DC to DC SSR(10A load 110VDC)

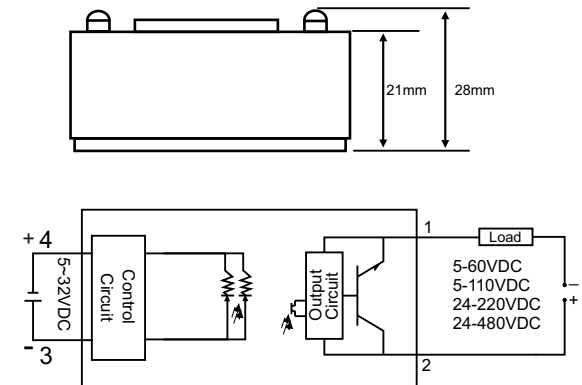
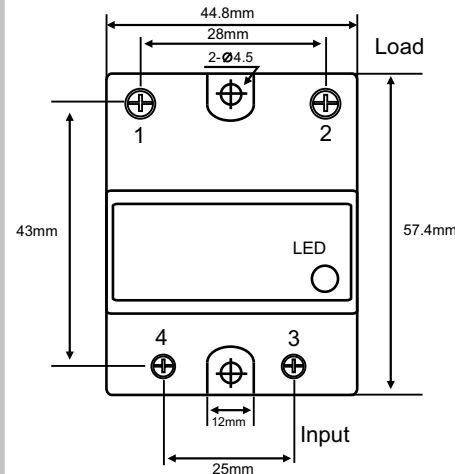
### Specifications(60VDC Load type)

|                       |               |
|-----------------------|---------------|
| Load Voltage          | 60VDC         |
| Control Voltage       | 5-32V DC      |
| Control Current       | 5-50mA DC     |
| On Voltage Drop       | ≤1.5V         |
| Off-leakage Current   | ≤2mA          |
| On-off Time           | ≤10mS         |
| Dielectric Strength   | 2000V AC      |
| Insulation Resistance | 500M /500VDC  |
| Ambient Temperature   | -30 °C~+75 °C |
| Mounting              | Chassis Mount |
| Indicator             | LED           |
| Weight                | 0.1KG         |

### Specifications(110/240/480VDC Load type)

|                       |                          |
|-----------------------|--------------------------|
| Load Voltage          | 110VDC / 220VDC / 480VDC |
| Control Voltage       | 5-32V DC                 |
| Control Current       | 5-25mA DC                |
| On Voltage Drop       | ≤2.3V                    |
| Off-leakage Current   | ≤2mA                     |
| On-off Time           | ≤10mS                    |
| Dielectric Strength   | 2000V AC                 |
| Insulation Resistance | 500M /500VDC             |
| Ambient Temperature   | -30 °C~+75 °C            |
| Mounting              | Chassis Mount            |
| Indicator             | LED                      |
| Weight                | 0.1KG                    |

### Wiring and Dimensions



Temperature Controller/Solid State Relay/Rotary Encoder/Proximity Sensors/Capacitive Sensors

# MAXWELL

## Three Phase Solid State Relay

MS-3DA Series  
MS-3AA Series

DC to AC type  
AC to AC type

**A Wide Range of models with 10 to 200A Output currents  
Up to 1200VAC output Voltages**

- All models with the same universal standard size
- Operation indicator(red LED) enables monitoring operation
- Protective cover for greater safety
- Built-in RC Snubber
- Fast response and robust
- Zero cross function
- No noise during the operation
- Chassis mount



### Ordering Information(DC control AC type)

MS-3DA □ □

1 2 3

1:Basic Model Name

MS-3DA: Maxwell 3 phase SSR(DC to AC type)

2:Rated Load Voltage

38: 380VAC  
48: 480VAC  
66: 660VAC  
120: 1200VAC

3:Rated Load Current

10: 10A  
25: 25A  
40: 40A  
60: 60A  
80: 80A  
100: 100A  
120: 120A  
150: 150A  
200: 200A

▲ MS-3DA3825: Three phase DC to AC SSR(25A load 380VAC)

### Ordering Information(AC control AC type)

MS-3AA □ □

1 2 3

1:Basic Model Name

MS-3AA: Maxwell 3 phase SSR(AC to AC type)

2:Rated Load Voltage

38: 380VAC  
48: 480VAC  
66: 660VAC  
120: 1200VAC

3:Rated Load Current

10: 10A  
25: 25A  
40: 40A  
60: 60A  
80: 80A  
100: 100A  
120: 120A  
150: 150A  
200: 200A

▲ MS-3AA3825: Three phase AC to AC SSR(25A load 380VAC)

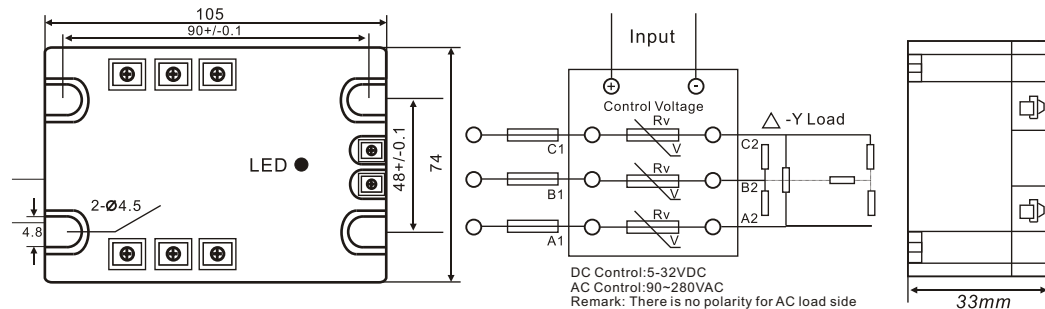
### Specifications(DC to AC)

|                       |                            |
|-----------------------|----------------------------|
| Load Voltage          | 380V / 480V / 660V / 1200V |
| Control Voltage       | 5-32VDC                    |
| Control Current       | 10-68mA                    |
| On Voltage Drop       | ≤1.8V                      |
| Off-leakage Current   | ≤10mA                      |
| On-off Time           | ≤10mS                      |
| Dielectric Strength   | 2500V AC                   |
| Insulation Resistance | 1000MΩ/2500VDC             |
| Ambient Temperature   | -30°C~+75°C                |
| Mounting              | Chassis mount              |
| Indicator             | LED                        |
| Weight                | 0.3KG                      |

### Specifications(AC to AC)

|                       |                            |
|-----------------------|----------------------------|
| Load Voltage          | 380V / 480V / 660V / 1200V |
| Control Voltage       | 90~280VAC                  |
| Control Current       | ≤12mA                      |
| On Voltage Drop       | ≤1.8V                      |
| Off-leakage Current   | ≤10mA                      |
| On-off Time           | ≤10mS                      |
| Dielectric Strength   | 2500V AC                   |
| Insulation Resistance | 1000MΩ/2500VDC             |
| Ambient Temperature   | -30°C~+75°C                |
| Mounting              | Chassis mount              |
| Indicator             | LED                        |
| Weight                | 0.3KG                      |

### Wiring and Dimensions



Temperature Controller/Solid State Relay/Rotary Encoder/Proximity Sensors/Capacitive Sensors

# MAXWELL

## Single Phase Power Regulator

MS-1VD Series  
MS-1VR Series

Analog input  
Potentiometer Control



**A Wide Range of models with 10 to 120Amps  
220VAC load or 380VAC load  
Analog input/Potentiometer input**

- All models with the same universal standard size
- Operation indicator(red LED) enables monitoring operation
- Protective cover for greater safety
- Resistance input or Voltage input
- Fast response and robust
- No noise during the operation
- Chassis mount

## Ordering Information(Resistance input)

MS-1VR         

1: Basic Model Name

MS-1VR: Maxwell Voltage Regulator, potentiometer control

2: Rated Load Voltage

38: 380VAC Load

3: Rated Load Current

10: 10A  
25: 25A  
40: 40A  
60: 60A  
80: 80A  
100: 100A  
120: 120A

## Ordering Information(Analog input)

MS-1VD            

1: Basic Model Name

MS-1VD: Maxwell Voltage Regulator analog input

2: Rated Load Voltage

22: 220VAC Load

38: 380VAC Load

3: Rated Load Current

10: 10A  
25: 25A  
40: 40A  
60: 60A  
80: 80A  
100: 100A  
120: 120A

4: Input Signal

B: 0-10VDC  
C: 4-20mA

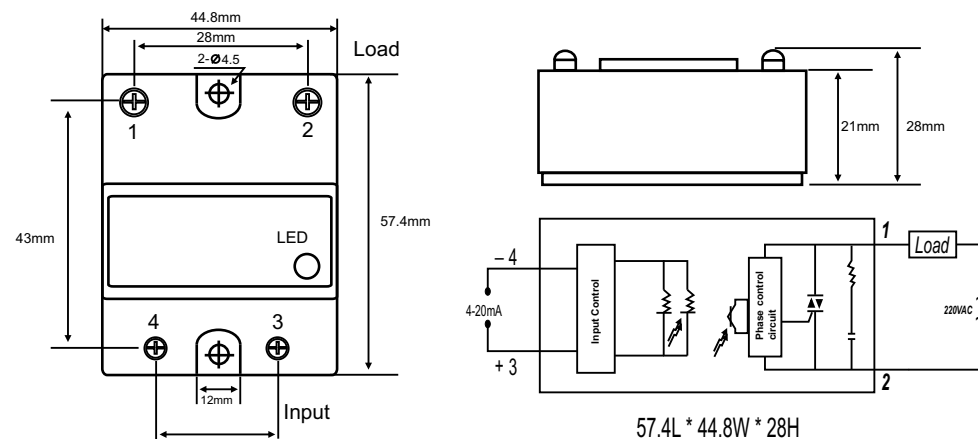
## Specifications(Potentiometer input)

|                       |   |
|-----------------------|---|
| Load Voltage          | 380VAC  |
| Control               | 0-470K $\Omega$ (220VAC) 0-560K $\Omega$ (380VAC) |
| Control Current       | N/A   |
| On Voltage Drop       | $\leq 1.5V$                                       |
| Off-leakage Current   | $\leq 2mA$  |
| On-off Time           | N/A   |
| Dielectric Strength   | 2500V AC  |
| Insulation Resistance | 100M $\Omega$ /500VDC                             |
| Ambient Temperature   | -30 $^{\circ}C$ ~+75 $^{\circ}C$                  |
| Mounting              | Chassis mount                                     |
| Indicator             | LED   |
| Weight                | 0.1kg   |

## Specifications(Analog Input type)

|                       |                                  |
|-----------------------|----------------------------------|
| Load Voltage          | 220VAC / 380VAC                  |
| Control Voltage       | 4-20mA/0-10VDC                   |
| Control Current       | DC 4-20mA/0-10VDC                |
| On Voltage Drop       | $\leq 1.5V$                      |
| Off-leakage Current   | $\leq 2mA$                       |
| On-off Time           | $\leq 10mS$                      |
| Dielectric Strength   | 2000V AC                         |
| Insulation Resistance | 500M $\Omega$ /500VDC            |
| Ambient Temperature   | -30 $^{\circ}C$ ~+75 $^{\circ}C$ |
| Mounting              | Chassis mount                    |
| Indicator             | LED                              |
| Weight                | 0.1kg                            |

## Wiring and Dimensions



Temperature Controller/Solid State Relay/Rotary Encoder/Proximity Sensors/Capacitive Sensors



# MAXWELL

## Single Phase High Precision Power Regulator

MS-1VD--P Series

High precision  
Works with multiple inputs

A Wide Range of models with 10 to 400Amps  
220VAC load or 380VAC load  
Analog input(0-10VDC,4-20mA,0-5VDC)

- All models with the same universal standard size
- Operation indicator(red LED) enables monitoring operation
- Good precision, support multiple inputs
- Built-in buffer, to protect the SCR against surge amps
- Input section and output section isolated
- No noise during the operation
- Chassis mount



### Ordering Information

MS-1VD     P

1: Basic Model Name

MS-1VD: Maxwell Voltage Regulator

2: Rated Load Voltage

22: 220VA

38: 380VA

3: Rated Load Current

10: 10A

25: 25A

40: 40A

60: 60A

80: 80A

100: 100A

120: 120A

200: 200A

300: 300A

400: 400A

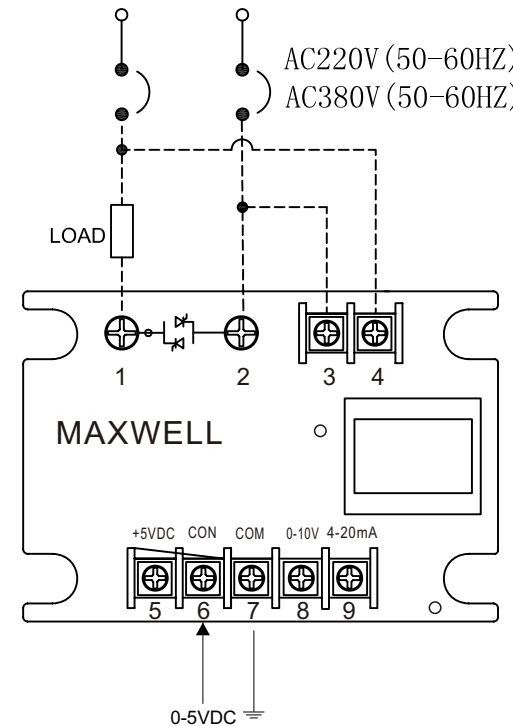
4: Version Code

P: For P series voltage regulator

### Specifications

|                       |                                |
|-----------------------|--------------------------------|
| Load Voltage          | 220VAC / 380VAC                |
| Control               | 0-10VDC Rated( 1.8VDC -9.8VDC) |
| Control               | 0-5VDC Rated( 0.8VDC -4.6VDC)  |
| Control               | 4-20mA DC Rated( 5.5mA -19mA)  |
| Dielectric Strength   | 2500V AC                       |
| Insulation Resistance | 100M /500VDC                   |
| Ambient Temperature   | -30°C~+75°C°                   |
| Mounting              | Chassis mount                  |
| Indicator             | LED                            |
| Weight                | 0.38kg                         |

### Connection Diagram



Remark: Terminal 7 for "COM". negative for input signal  
Terminal 8 for 0-10VDC input, positive terminals  
Terminal 9 for 4-20mA input, positive terminal  
Terminal 6 for 0-5VDC input, positive terminal  
Terminal 5 is +5VDC aux power, power source for potentiometer manual control

### Caution and Warnings

1. Appropriate heatsink must be used together with the unit
2. All terminals must be fasten tightly otherwise heat will accumulated on terminals
3. Cooling fans must be included when amps larger than 20amps and ambient temp higher 40C.
4. Voltage between load (terminal 1 and 2) must have the same phase as voltage between terminal 3 and 4.
5. Always make sure a correct wiring to enable a appropriate control

Temperature Controller/Solid State Relay/Rotary Encoder/Proximity Sensors/Capacitive Sensors

# MAXWELL

## Three Phase Power Regulator

MS3-VD Series

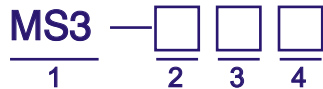
Basic Type  
Analog Control



- Linear phase-shift control, excellent stability, high precision
- Modularized design, safer and reliable
- Small size, easy to install and wiring
- Vacuum welding technology, good quality and robust.

- Rated voltage: Three phase 380VAC(four wires)
- Rated voltage for cooling fans: 220VAC
- Rated amps: 10A/25A/40A/60A/80A/100A/120A
- Frequency: 50/60HZ
- Control signal: 4-20mA, 0-5VDC, 0-10VDC.
- Ambient temperature: Maximum temperature 47C °  
Maximum humidity 90%RH

### Ordering Information



4:Rated Load Current

- 10: 10A
- 25: 25A
- 40: 40A
- 60: 40A
- 80: 80A
- 100: 100A
- 120: 120A

1:Basic Model Name

Ms3: Maxwell Three Phase Power Regulator

2:Control Type

VD: Linear Control

3:Rated Load Voltage

38: 380VAC

5:Control Signal

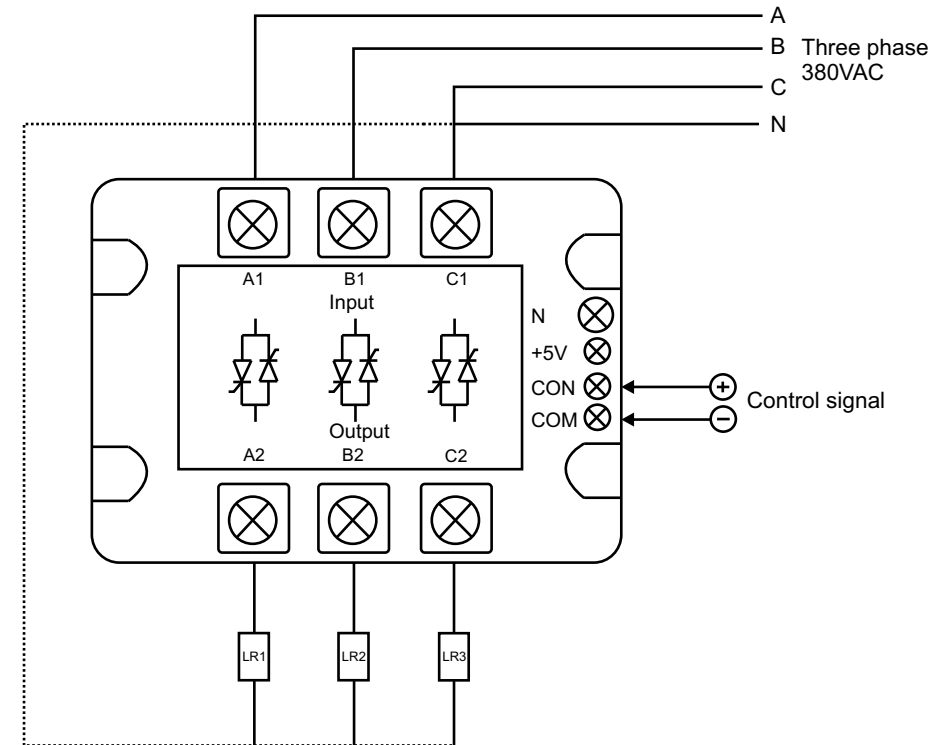
- A: 0-5VDC input
- B: 0-10VDC input
- C: 4-20mA input

▲ MS3-VD3825A: Three phase power regulator 25A with control signal as 0-5VDC

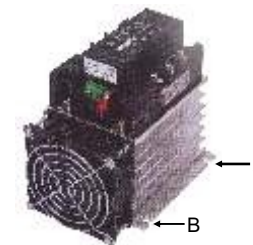
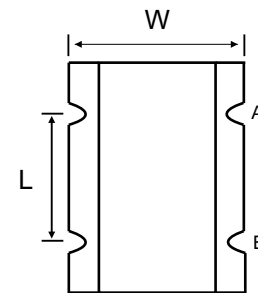
### Specifications

|                     |  |
|---------------------|--|
| Rated voltage       | 380VAC   |
| Rated current       | 10A/25A/40A/60A/80A/100A/120A                  |
| Operation frequency | 50/60HZ  |
| Output mode         | Phase output                                   |
| Control signal      | 4-20mA   |
|                     | 0-5VDC   |
|                     | 0-10VDC  |
| Ambient             | Maximum temperature 47C/Maximum humidity 90%RH |
| Cooling fans        | 220VAC   |

### Wiring Diagram



### Dimensions



Installation dimensions: W(90mm)\*L(80mm)  
Overall dimensions: W(100mm)\*L(110mm)\*H(145mm)

### Warning and Precautions(very important)

- 1:The main circuit adopts three-phase four wire input without requirement for phase sequence
- 2:SCR with high amps of current flow through, be sure to tighten the terminal (A1 B1 C1 and A2 B2 C2) at its maximum extend. otherwise SCR might be damaged by heat generated around the terminals.
- 3:When Y connection used for load, the center of Y should be connected with zero line, otherwise, relative equilibrium of the three phase is required
- 4:When load greater than 15KW, Heatsink is a must for the SCR, and heat conducting silicon grease should be applied between chassis of SCR and the heatsink, and cooling fan is a must for the heatsink
- 5:Make sure to use semi-conductive fast fuse for overload protection
- 6:Make sure to pick proper heatsinks when load more than 15KW

Temperature Controller/Solid State Relay/Rotary Encoder/Proximity Sensors/Capacitive Sensors

# MAXWELL

## Three Phase Power Regulator

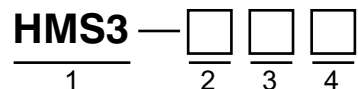
### HMS3-VD Series

Advanced Type  
Linear Control



- Linear phase-shift control, excellent stability, high precision, compact design
- Modularized design, safer and reliable
- **Over temperature protection(Maximum temp is 70 C)**
- **Built-in fast fuse protection**
- **LED Indicator**
- **Adjustable minimum and maximum output**
- Rated voltage: Three phase 380VAC(four wires),maximum 800VAC
- Rated voltage for cooling fans: 220VAC
- Rated Amps: 10A/25A/40A/60A/80A/100A/120A/150A/200A/250A/300A
- Frequency: 50/60HZ
- Control signal: 4-20mA , 0-5VDC, 0-10VDC.
- Ambient temperature: Maximum temperature 47C °  
Maximum humidity 90%RH

### Ordering Information



#### Section 1:Basic Model Name

**HMS3:** Maxwell Three Phase Power Regulator  
All in one advanced type

#### Section 2:Control Type

**VD:** Linear Control

#### Section 3:Rated Load Voltage

**38:** 380VAC

#### Section 4:Rated Load Current

- 10:** 10A
- 25:** 25A
- 40:** 40A
- 60:** 40A
- 80:** 80A
- 100:** 100A
- 120:** 120A
- 150:** 150A
- 200:** 200A
- 250:** 250A
- 300:** 300A

#### Section 5:Control Signal

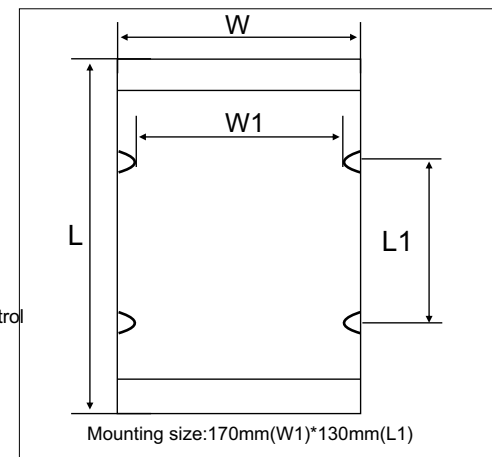
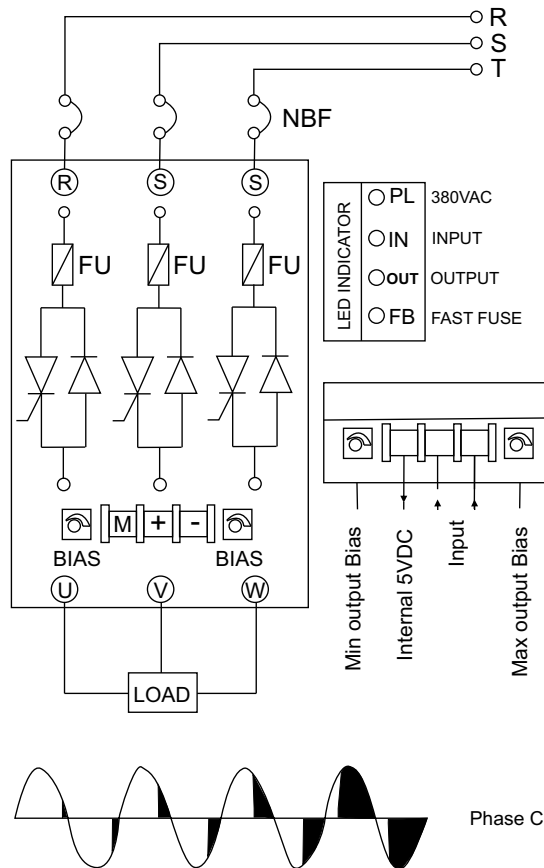
- A:** 0-5VDC input
- B:** 0-10VDC input
- C:** 4-20mA input

▲ **HMS3-VD38250C: Three phase power regulator 250A with control signal as 4-20mAVDC**

### Specifications

|                     |   |
|---------------------|---|
| Rated voltage       | 380VAC  |
| Rated current       | 10A/25A/40A/60A/80A/100A/120A/150A/200A/250A/300A |
| Operation frequency | 50/60HZ   |
| Output mode         | Phase output                                      |
| Control signal      | 4-20mA  |
|                     | 0-5VDC  |
|                     | 0-10VDC   |
| Ambient             | Maximum temperature 47C/Maximum humidity 90%RH    |
| Cooling fans        | 220VAC  |

### Dimensions and Wiring Diagram



### Add-On Features

- Maximum and minimum output adjustable
- LED indicator
- Over temperature protection
- Built-in fast fuse protection
- Compact design

### Warning and Precautions(very important)

- 1:The main circuit adopts three-phase four wire input without requirement for phase sequence
- 2:SCR is a product with big current, please keep in mind that terminals(R,S,T) and (U,V,W) shall not be locked too tight, or SCR will be burned by terminal heating.
- 3:When Y connection used for load, the center of Y should be connected with zero line, otherwise, relative equilibrium of the three phase is required
- 4:When the temperature of radiator exceed 70C, the module will stop working automatically, and the only power indicating LED is light on at the moment.

Temperature Controller/Solid State Relay/Rotary Encoder/Proximity Sensors/Capacitive Sensors



# MAXWELL

## Three Phase Reversing Solid State Relay

### MS-3M Series

A Wide Range of models with 10 to 120A Output currents  
Up to 660VAC output Voltages

- All models with the same universal standard size
- Operation indicator(red LED) enables monitoring operation
- Protective cover for greater safety
- Built-in RC Snubber
- Fast response and robust
- Zero cross function
- No noise during the operation
- Chassis mount



### Ordering Information(480V Load Type)

MS-3M     
1 2 3

#### Section 1:Basic Model Name

MS-3M: Maxwell 3 Reversing SSR

#### Section 2:Rated Load Voltage

48: 480VAC

#### Section 3:Rated Load Current

10: 10A  
25: 25A  
40: 40A  
60: 60A  
80: 80A  
100: 100A

▲ MS-3M4825: Three phase reversing solid state relay

660V Load

MS-3M     
1 2 3

#### Section 1:Basic Model Name

MS-3M: Maxwell 3 Reversing SSR

#### Section 2:Rated Load Voltage

66: 660VAC

#### Section 3:Rated Load Current

10: 10A  
25: 25A  
40: 40A  
60: 60A  
80: 80A  
100: 100A

▲ MS-3M6625: Three phase reversing solid state relay

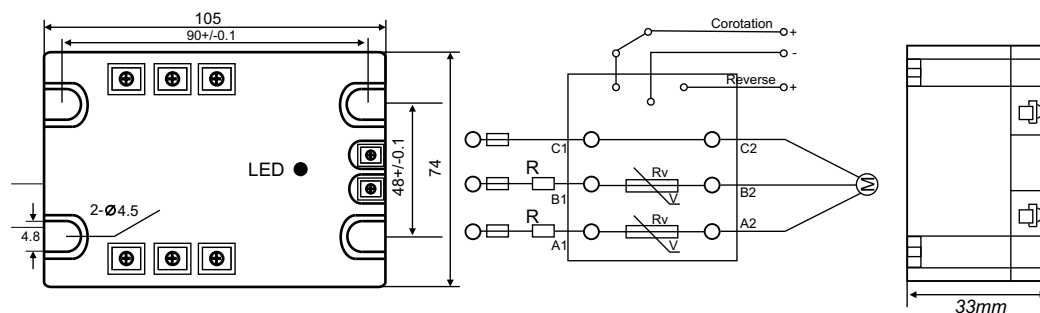
### Specifications(480V Load)

|                         |                |
|-------------------------|----------------|
| Load Voltage            | 480V           |
| Control Voltage         | 10-30V DC      |
| Control Current         | 10-30mA        |
| On Voltage Drop         | ≤2V            |
| Off-leakage Current     | ≤ 10mA         |
| Reversing time duration | ≥ 300mS        |
| Dielectric Strength     | 2500V AC       |
| Insulation Resistance   | 1000M /500VDC  |
| Ambient Temperature     | -30℃~+75℃°     |
| Mounting                | Chassis mount  |
| Indicator               | LED(Red Green) |
| Weight                  | 0.3KG          |

### Specifications(660V Load)

|                       |                |
|-----------------------|----------------|
| Load Voltage          | 660V           |
| Control Voltage       | 10-30V DC      |
| Control Current       | 10-30mA        |
| On Voltage Drop       | ≤ 2V           |
| Off-leakage Current   | ≤10mA          |
| On-off Time           | ≥ 300mS        |
| Dielectric Strength   | 2500V AC       |
| Insulation Resistance | 1000M /500VDC  |
| Ambient Temperature   | -30℃~+75℃°     |
| Mounting              | Chassis mount  |
| Indicator             | LED(Red Green) |
| Weight                | 0.3KG          |

### Wiring and Dimensions



Temperature Controller/Solid State Relay/Rotary Encoder/Proximity Sensors/Capacitive Sensors

# MaxWell

## Accessories for SSR

Heatsinks for SSR,SCR.  
Cooling Fans for SSR

## HeatSinks and Fans

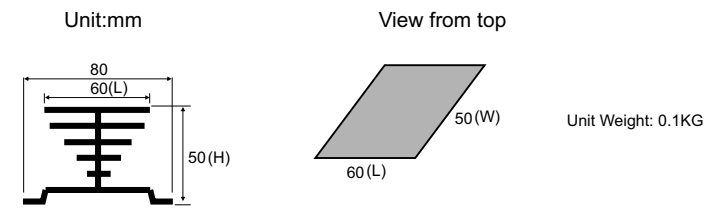
### SSR and HeatSink Compatible checking list



| ITEM NO | SIZE        | Compatible SSR | Remark           |
|---------|-------------|----------------|------------------|
| MW-I    | 60x50x50    | 10A/25A        | Single Phase SSR |
| MW-W-A  | 72x100x50   | 40A            | Single Phase SSR |
| MW-W-B  | 100x100x50  | 60A            | Single Phase SSR |
| MW-T    | 80x80x70    | 80A/100A/120A  | Single Phase SSR |
| MW-L    | 150x88x35   | 10A/25A        | Three Phase SSR  |
| MW-H-A  | 110x80x80   | 40A            | Three Phase SSR  |
| MW-H-B  | 150x80x80   | 60A            | Three Phase SSR  |
| MW-Y-A  | 110x125x135 | 80A            | Three Phase SSR  |
| MW-Y-B  | 150x125x135 | 100A/120A      | Three Phase SSR  |
| MW-Y-C  | 170x125x135 | 150A/200A      | Three Phase SSR  |

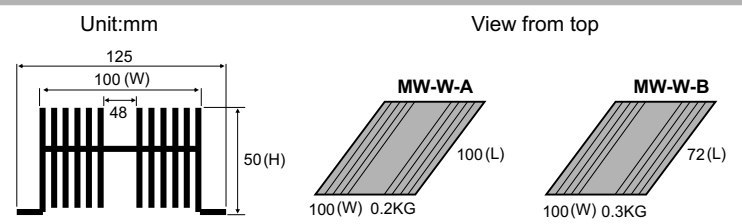
### Ordering Information(For Single Phase SSR)

#### MW-I HeatSink



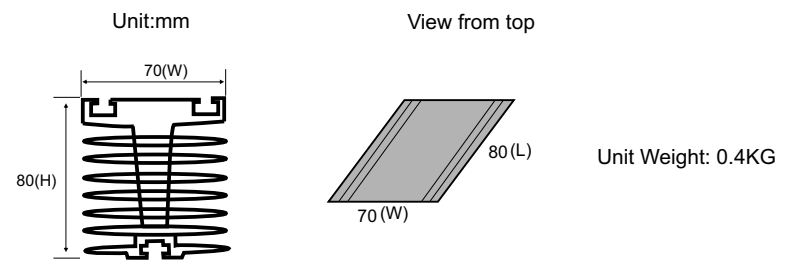
MW-I:Compatible with Single Phase SSR with load at 10A and 25A(60\*50\*50)

#### MW-W-A HeatSink MW-W-B HeatSink



MW-W-A: Compatible with Single Phase SSR with load at 40A(72\*100\*50)  
MW-W-B: Compatible with Single Phase SSR with load at 60A(100\*100\*50)

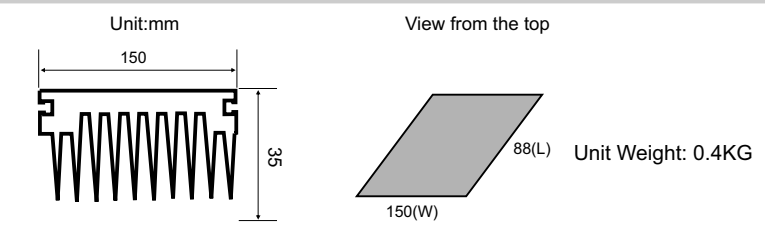
#### MW-T HeatSink



Compatible SSR: Single Phase SSR with load at 80A/100A/120A.(80\*70\*80)

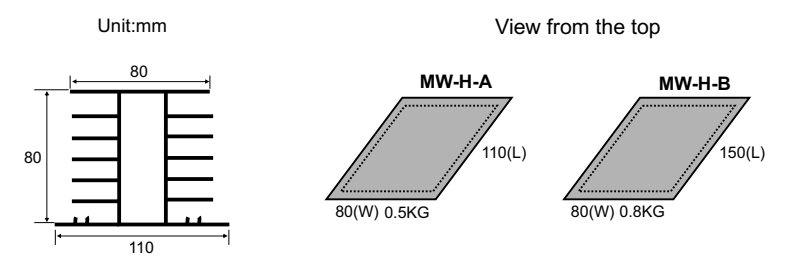
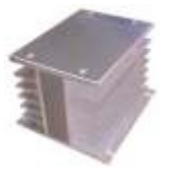
### Ordering Information(For Three Phase SSR)

#### MW-L HeatSink



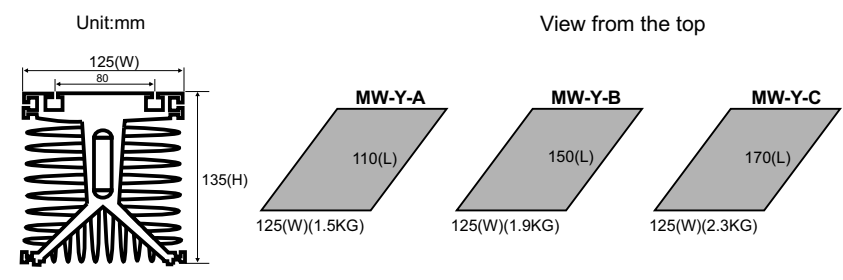
Compatible SSR: Three Phase SSR with load at 10A/25A.(150\*88\*35)

#### MW-H-A HeatSink MW-H-B HeatSink



MW-H-A: Compatible with three phase SSR with load at 40A(110\*80\*80)  
MW-H-B: Compatible with three phase SSR with load at 60A(150\*80\*80)

#### MW-Y-A HeatSink MW-Y-B HeatSink MW-Y-C HeatSink



MW-Y-A:Compatible with three phase SSR with load at 80A(110\*125\*135)  
MW-Y-B:Compatible with three phase SSR with load at 100A/120A(150\*125\*135)  
MW-Y-C:Compatible with three phase SSR with load at 150A/200A(170\*125\*135)

#### MF-1-B-8-110/220



**MF-1-B-8- 110:**Ball bearing Fans(110V)  
Size:80mm\*80mm, with Metal Protector  
**MF-1-B-8- 220:**Ball bearing Fans(220V)  
Size:80mm\*80mm, with Metal Protector

#### MF-1-B-12-110/220



**MF-1-B-12- 110:**Ball bearing Fans(110V)  
Size:120mm\*120mm, with Metal Protector  
**MF-1-B-12- 220:**Ball bearing Fans(220V)  
Size:120mm\*120mm, with Metal Protector

#### MF-1-S-8-110/220



**MF-1-S-8- 110:**Sleeve bearing Fans(110V)  
Size:80mm\*80mm, with Metal Protector  
**MF-1-S-8- 220:**Sleeve bearing Fans(220V)  
Size:80mm\*80mm, with Metal Protector

#### MF-1-S-12-110/220



**MF-1-S-12- 110:**Sleeve bearing Fans(110V)  
Size:120mm\*120mm, with Metal Protector  
**MF-1-S-12- 220:**Sleeve bearing Fans(220V)  
Size:120mm\*120mm, with Metal Protector

Temperature Controller/Solid State Relay/Rotary Encoder/Proximity Sensors/Capacitive Sensors

---

## MAXWELL ELECTRICAL LIMITED

Add:NO.68 JianMeiLi Industrial Park, HaiCang district, XiaMen,FuJian, China 361026

Tel: 86-592-6382791

Fax: 86-592-6091734

[www.maxwell-fa.com](http://www.maxwell-fa.com)

[sales@maxwell-fa.com](mailto:sales@maxwell-fa.com)

In case we didn't get your e-mail, please send your inquiry to our alternative mail [1298322983@qq.com](mailto:1298322983@qq.com)

Thank you very much